

Carbon & Sulfur Analyzer



BK-CSA5

Introductions:

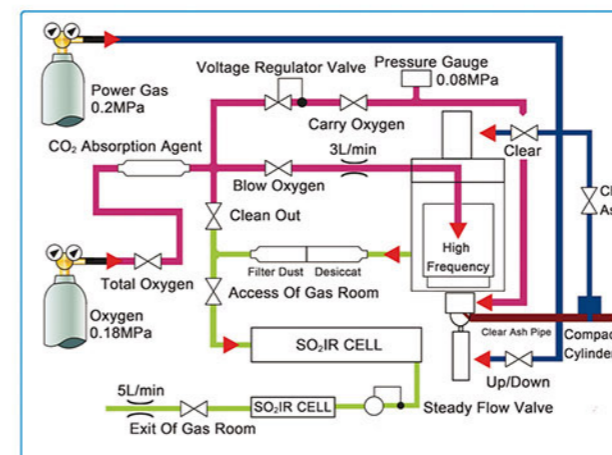
High-frequency Infrared Carbon & Sulfur Analyzer can determine the percentage of carbon and sulfur in steel, iron, alloy, nonferrous metal, cement, mineral, glass and other material.

Technical Parameters:

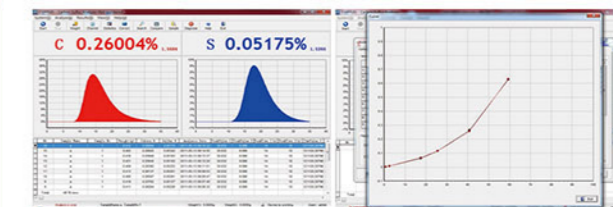
Working Principle	High-frequency inductive combustion and infrared absorption system
Sample Weight (Solid steel)	Standard 0.5g
Accuracy	C/S: 0.1ppm
Analysis Time	25-60s adjustable (normally: 35s)
Working Cycle	24 hours

The difference between BK-CSA5 and BK-CSA6:

Model	BK-CSA5	BK-CSA6
Appearance	Desktop detector, with desktop high-frequency furnace, save space	Separate work station, with vertical high-frequency furnace
Analysis Range	C: 0.0005%-6.0000% (can be extended to 99.999%) S: 0.0005%-0.5000% (can be extended to 99.999%)	C: 0.0001%-10.0000% (can be extended to 99.999%) S: 0.0001%-3.50000% (can be extended to 99.999%)
Analysis Pool	2 pools	2 pools (optional 4 pools)
Consumption	2.2KW	2.5KW
Power Supply	AC220V±10%, 50/60Hz	
Package Size(W*D*H)	1380*760*980mm	1670*750*960mm, 750*580*1430mm
Gross Weight	193kg	150kg, 180kg
Standard Accessories	Main unit, high frequency automatic inductive combustion furnace, electric balance 1000 times effective analysis of spare parts	



BK-CSA5/BK-CSA6 Gas Circuit Diagram



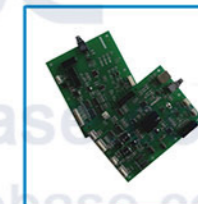
Analysis Software

Using Deliph software compiler, WINDOWS XP, Win7, Win8, Win10 system.
Using the drop-down menu and shortcut operation, with the functions of multi-user administrator, curve fitting, coefficient correction, treatment of results, printing, system diagnosis and others.

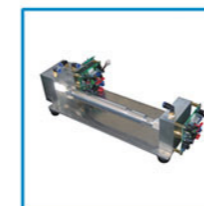
High Frequency Oscillating Circuit
Current / Voltage / Power / Choosing the way to regulate the furnace temperature, suitable to various materials of samples.



Control Circuit
Double CPU modular design, high of integration, stable and reliable.
24 bit high speed sampling chip, high sampling precision.



High Precision Pump
In response to the input pressure change, to ensure that the analysis of gas flow.
Constant output, so as to ensure the stable and reliable analysis results.



Infrared Detecting Pool
Gold-plating carbon sulfur analysis pool and high precision of pyroelectric infrared detector.
New platinum infrared light source, heating duration, spectral characteristics of high efficiency. Microstepping motor, good thermal stability.



BK-CSA6